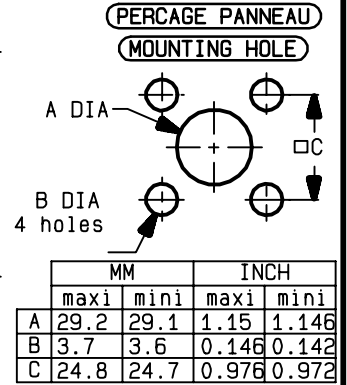
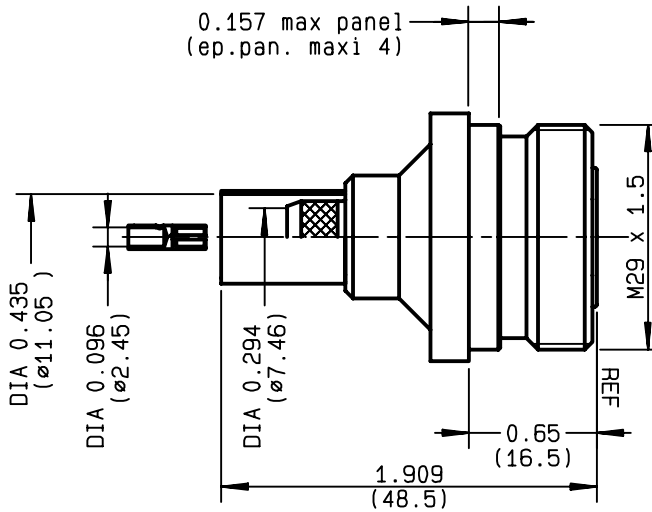
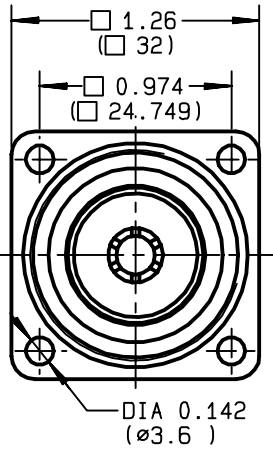


**STRAIGHT SQUARE FLANGE JACK CRIMP TYPE
CABLE 10/50 S**

R185.274.000
SERIES 7-16



NOMINAL IMPEDANCE	50 Ω
FREQUENCY RANGE	0-7.5 GHz
TEMPERATURE RATING	-55/+155 °C
V.S.W.R	1.20 + x F(GHz)Maxi
RF INSERTION LOSS	0.05 √F(GHz) dB Maxi
VOLTAGE RATING	1400 Veff Maxi
DIELECTRIC WITHSTANDING VOLTAGE	2700 Veff Mini
INSULATION RESISTANCE	10000 MΩMini
HERMETIC SEAL	NA Atm.cm ³ /s
LEAKAGE (pressurized only)	NA
MECHANICAL DURABILITY	500 Cycles
WEIGHT	103 gr
SPECIFICATION	

CABLES : KX 4	
RG 213	
RG 393	
OTHERS CHARACTERISTICS	
	ROS : 1.10 a 3 GHz
CABLE RETENTION	250 N Mini
CENTER CONTACT RETENTION	
Axial force - mating end	200 N Mini
Axial force - opposite end	100 N Mini
Torque	NA cm.N Mini
RECOMMENDED TORQUES	
Mating	NA cm.N
Panel nut	NA cm.N
Clamp nut	NA cm.N

CONNECTOR PARTS	MATERIALS	FINISH
BODY	BRASS	BBR 0.5 OVER SILVER 3
OUTER CONTACT	BRASS	SILVER 5 OVER COPPER 0.5
CENTER CONTACT	BERYLLIUM COPPER	SILVER 5 OVER COPPER 0.5
INSULATOR	PTFE	-
GASKET		-
OTHERS PIECES	BRASS	BBR 2

(all values are given in micrometers)

GAUTIER

ISSUE	CREATION DATE	FILE PART-NUMBER
9944C00	11/05/1994	EPC96-02



RADIALL®

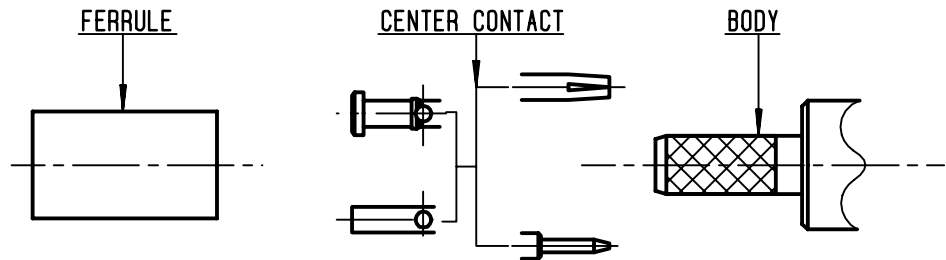
The information given here is subject to change without notice.
Design changes may be in order to improve the product.

Connect to the future



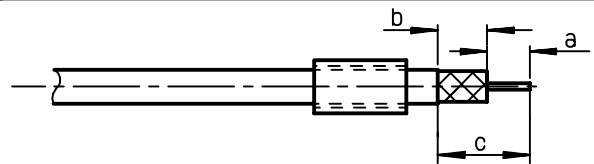
R185.274.000

ISSUE **9944C00** SERIES **7-16**



①

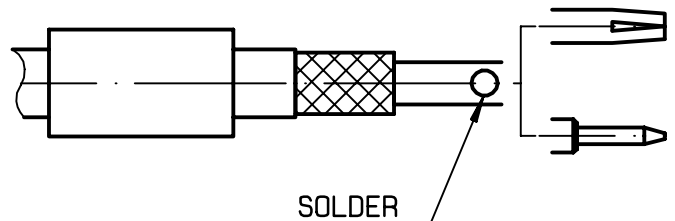
Slide the ferrule onto the cable.
Strip the cable.
-
-



Stripping	a	b	c	d	e
inch	0.177	0.295	0.472	0	0
mm	4.5	7.5	12		

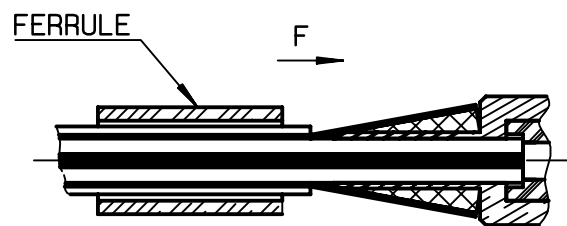
②

Solder the cable inner conductor into centre contact .
-
-
-
-
-



③

Fan the braid.
Slide cable into body until it bottoms.
Slide ferrule over the braid.
(In direction F)



④

Crimp the ferrule with crimping tool R 282 231 000 (Hex. : 0.415) or crimping tool R 282 293 000 (M22520/5-01) and dies R 282 235 116 (Y 116 DANIELS)
Cut the excess of braid if necessary.
-
-
-
-

